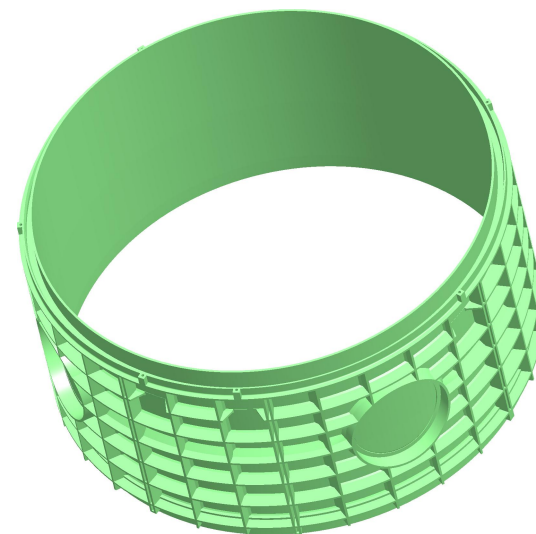
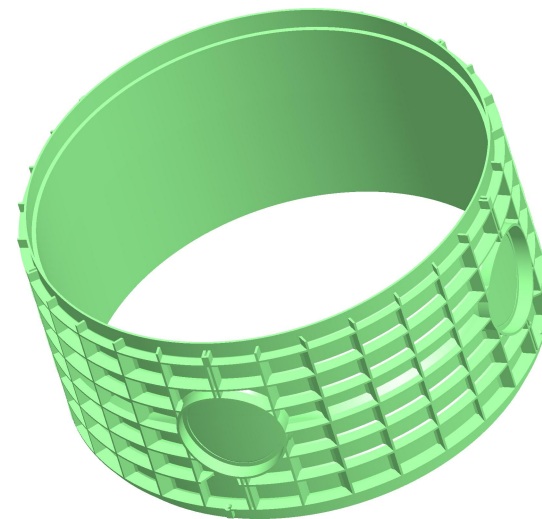
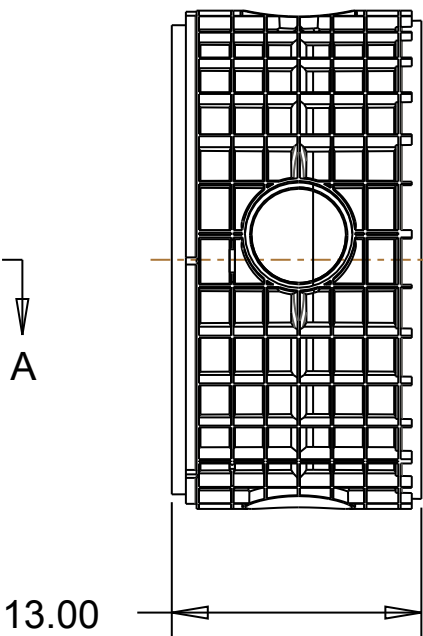
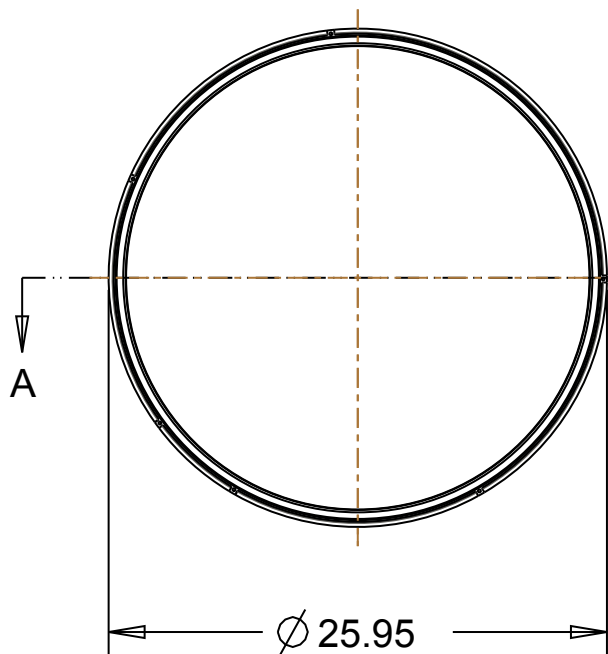


SECTION A-A



Material: Copolymer Polypropylene
Color: Green

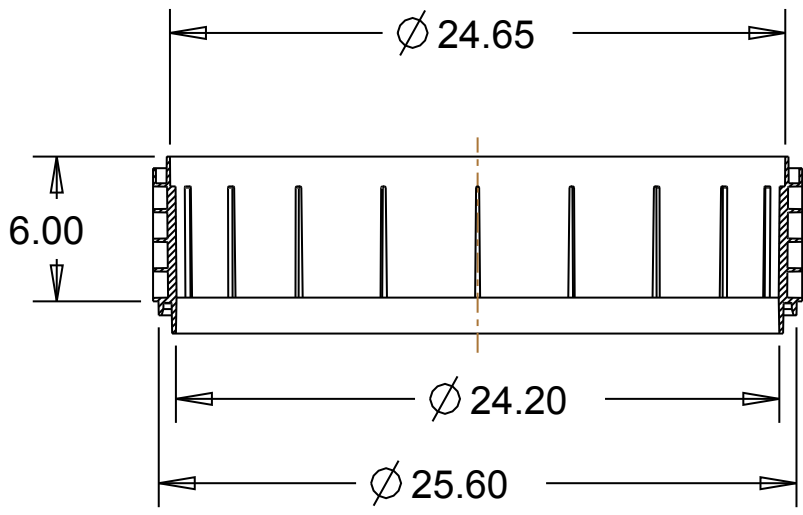


Drainage and Septic Products

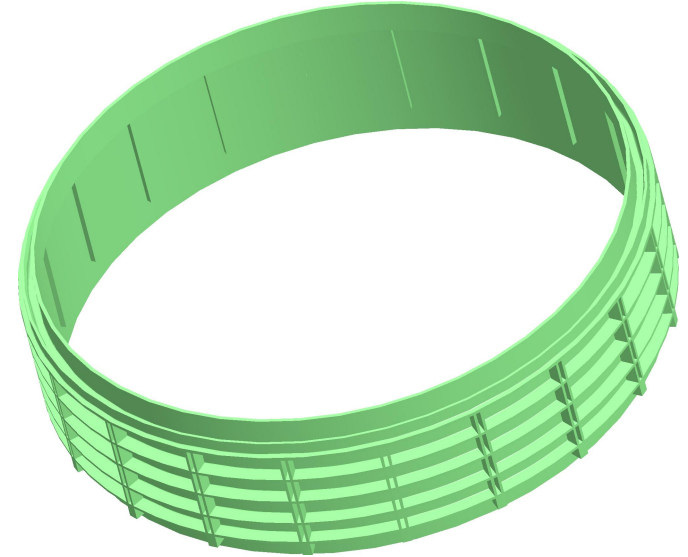
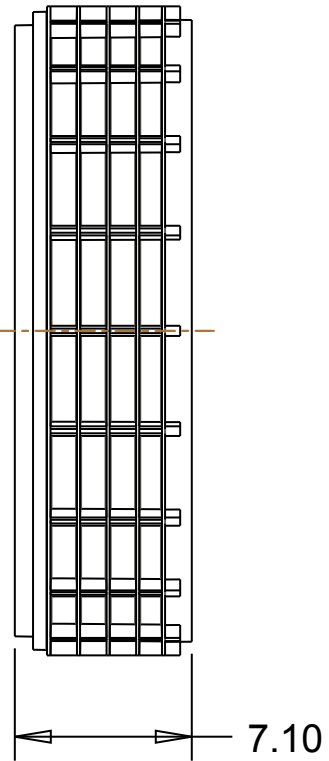
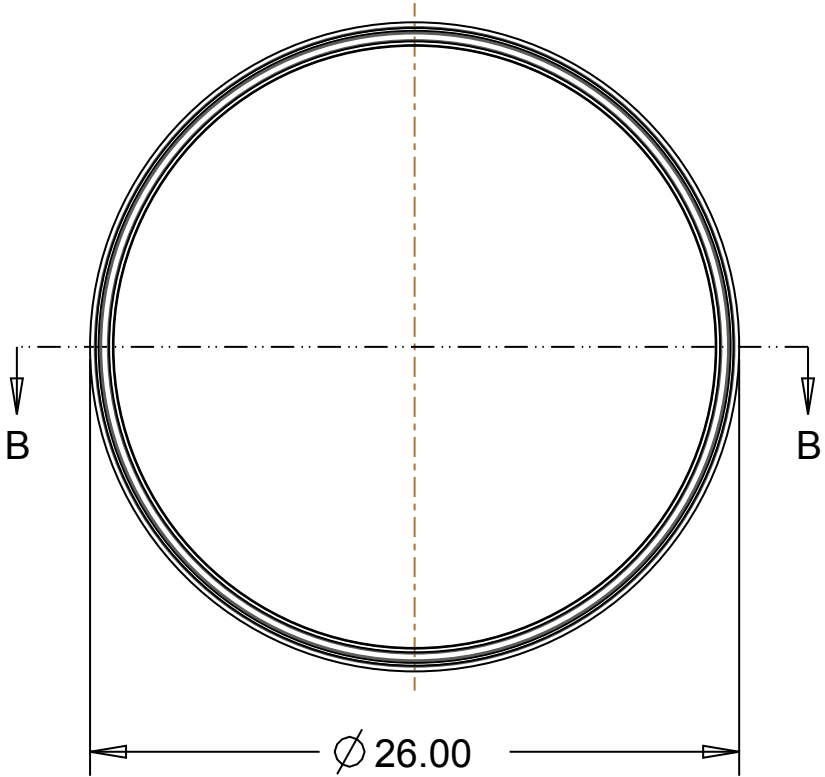
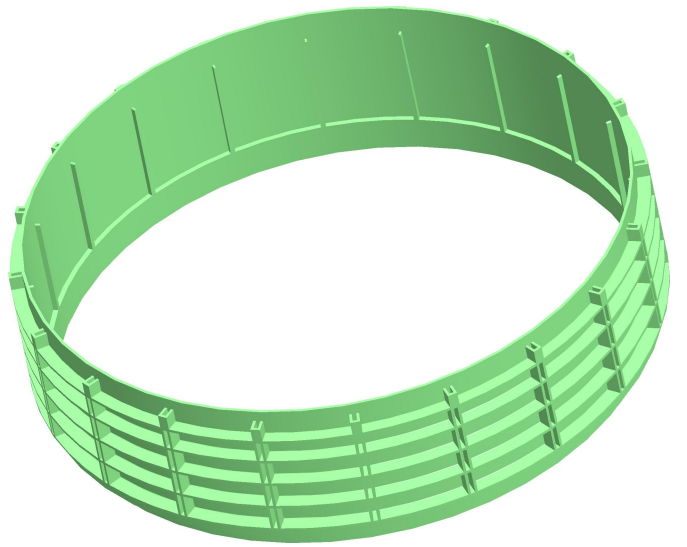
Tuf-Tite, Inc.
1200 Flex Court
Lake Zurich, Illinois 60047

PART NAME:
24 X 12 RISER

PART #:
24 X 12 - RIS - GREEN



SECTION B-B



Material: Copolymer Polypropylene
Color: Green

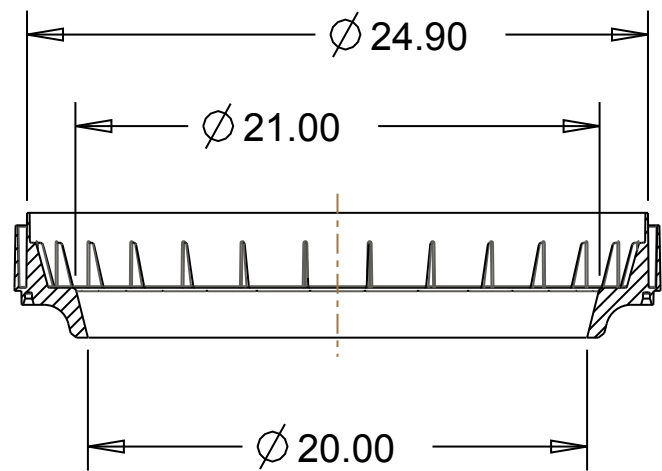


Drainage and Septic Products

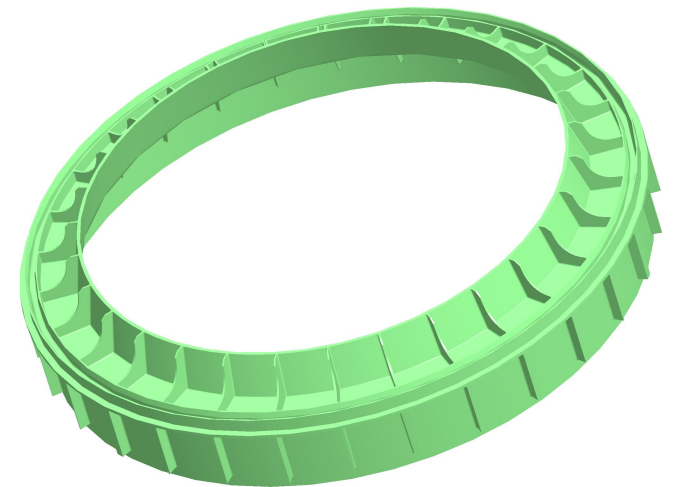
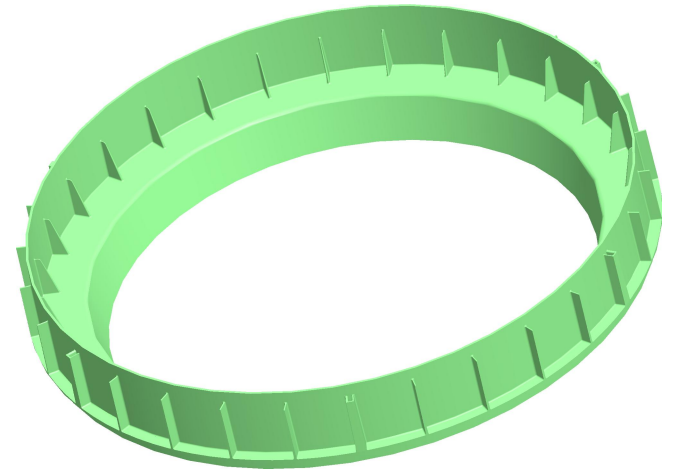
Tuf-Tite, Inc.
1200 Flex Court
Lake Zurich, Illinois 60047

PART NAME:
24" RISER

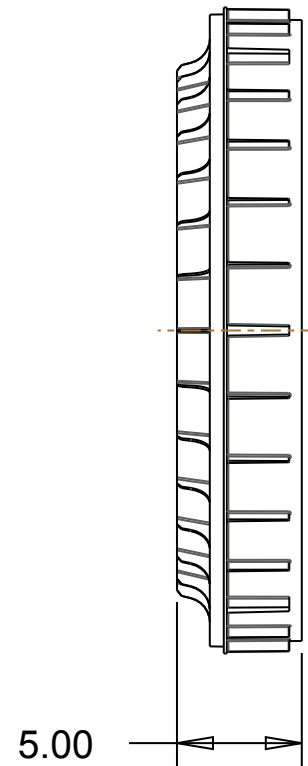
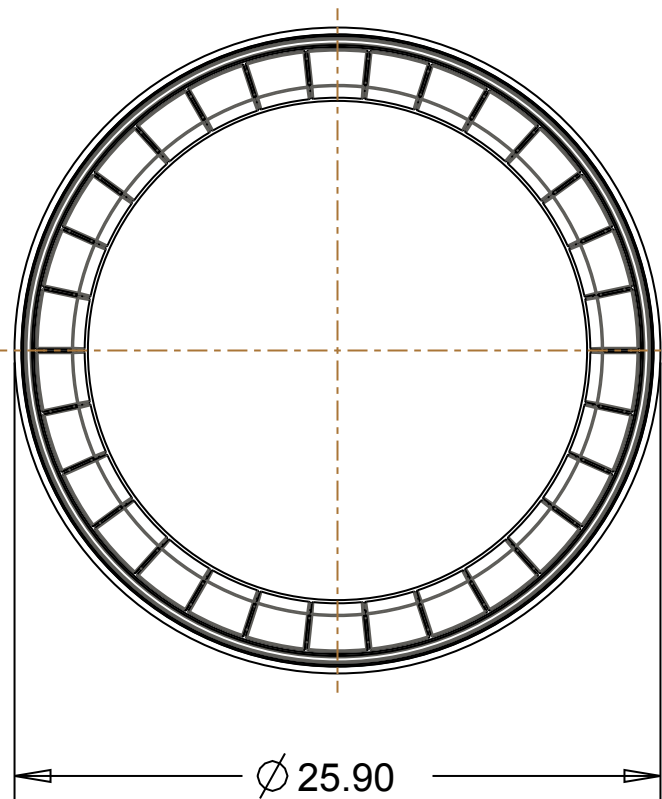
PART #:
24- RIS - GREEN



SECTION A-A



Material: Copolymer Polypropylene
Color: Green

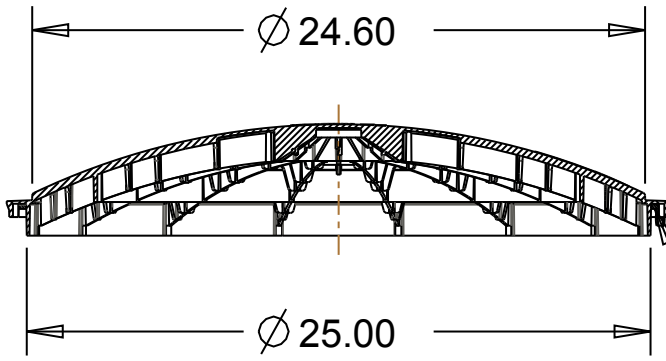


Drainage and Septic Products

Tuf-Tite, Inc.
1200 Flex Court
Lake Zurich, Illinois 60047

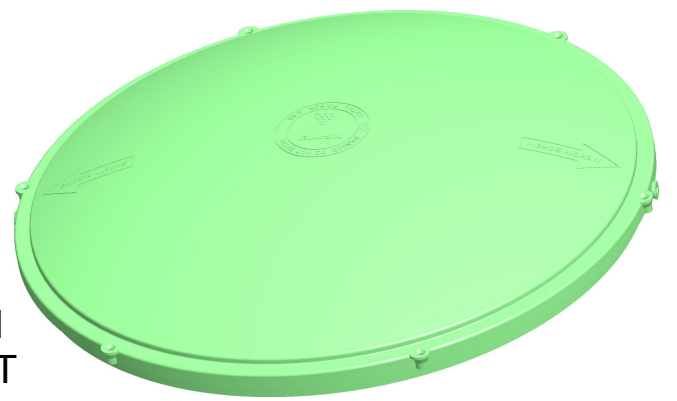
PART NAME: 24" RISER PAN

PART #: 24 - RISP - GREEN

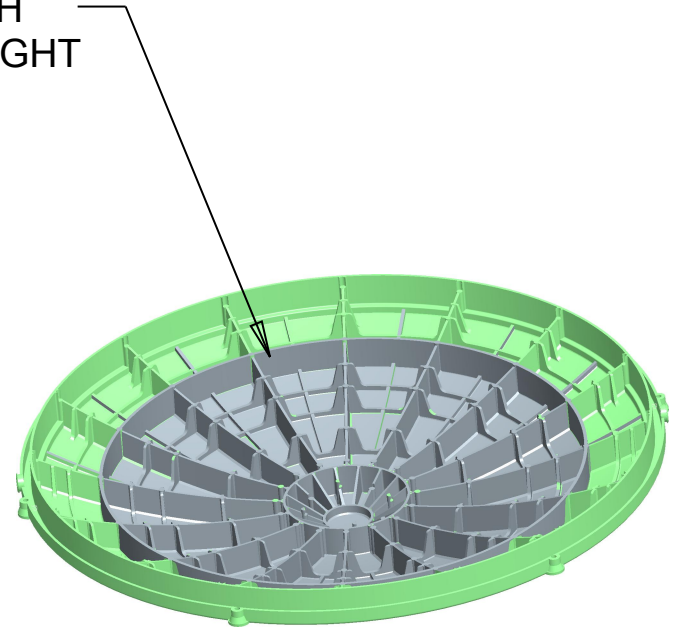
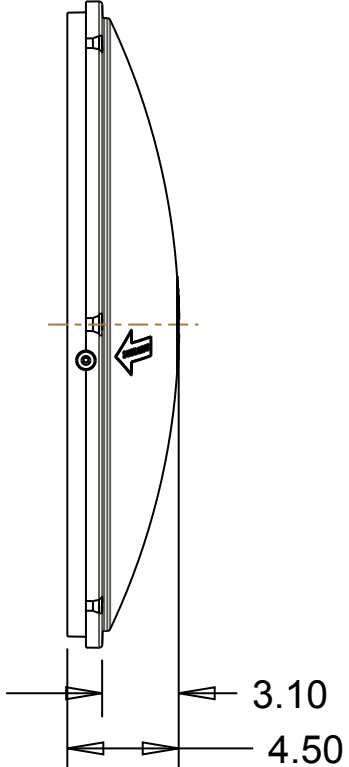
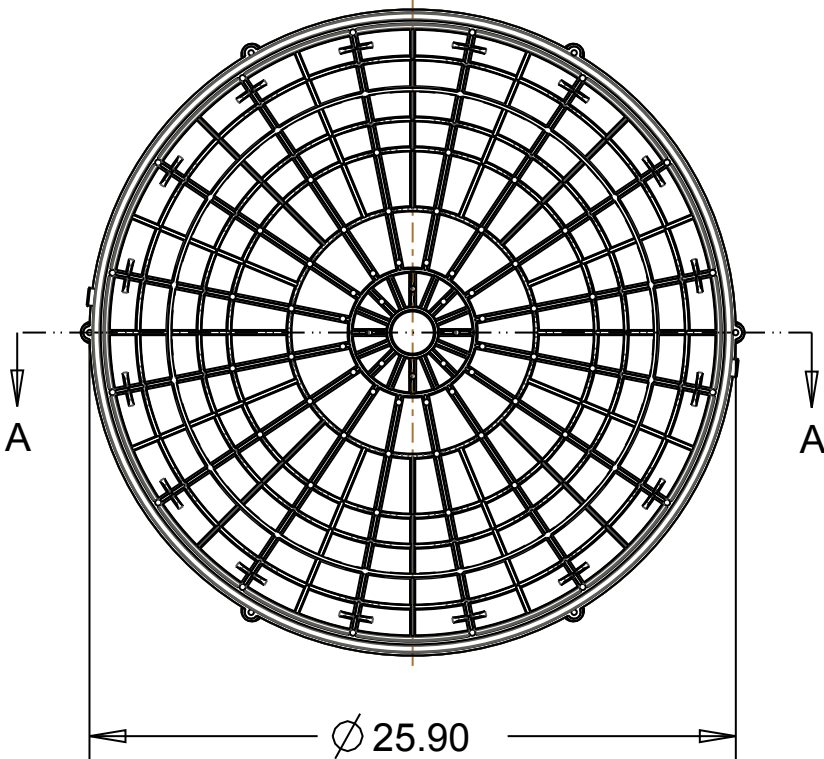


SECTION A-A

PERMANENT FOAMED-IN POLYURETHANE GASKET



THIS AREA MAY BE FILLED WITH CONCRETE FOR ADDITIONAL WEIGHT



Material: Copolymer Polypropylene
Color: Green

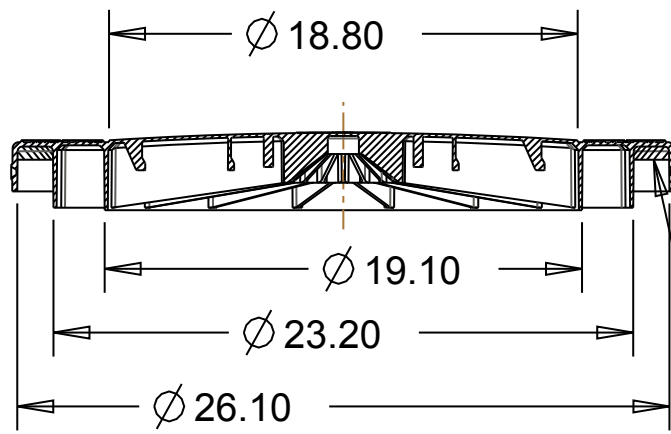


Drainage and Septic Products

Tuf-Tite, Inc.
1200 Flex Court
Lake Zurich, Illinois 60047

PART NAME:
24" RISER LID

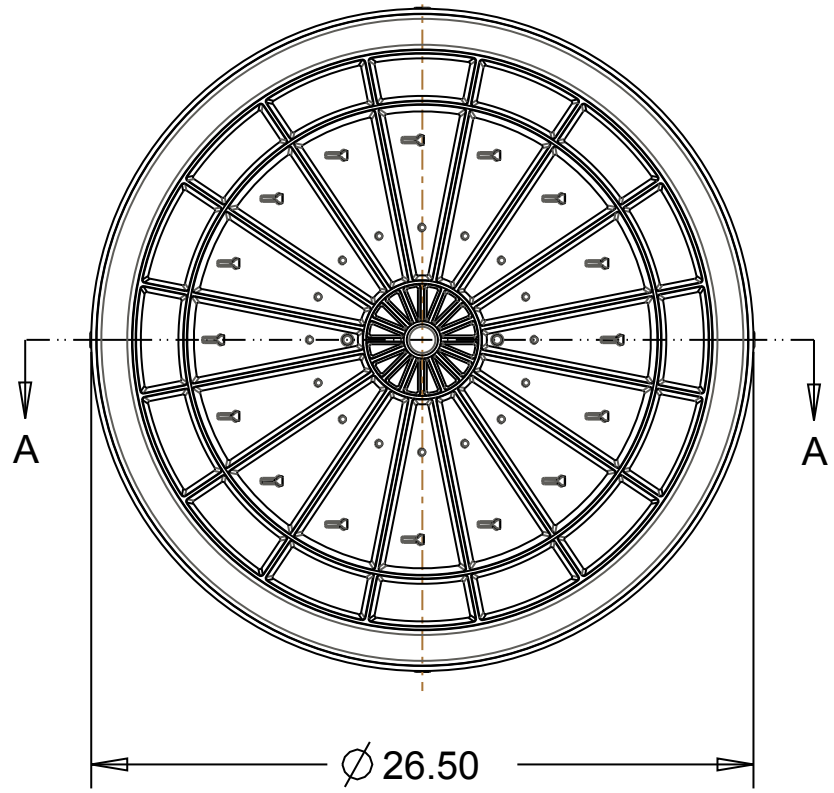
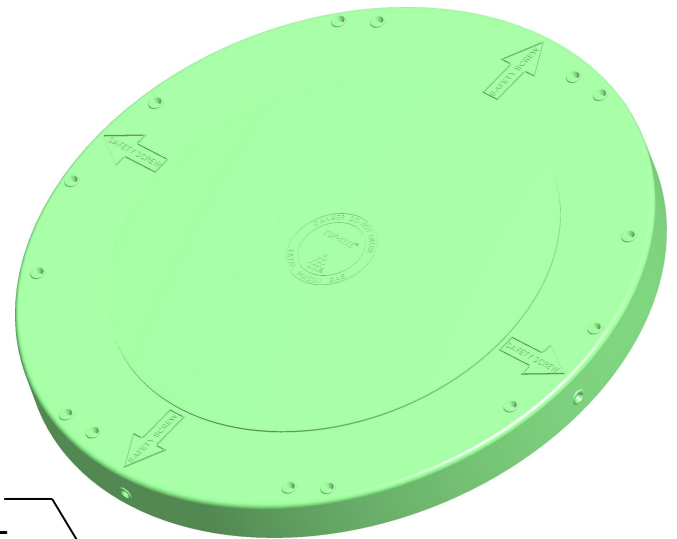
PART #:
24 - RISL - GREEN



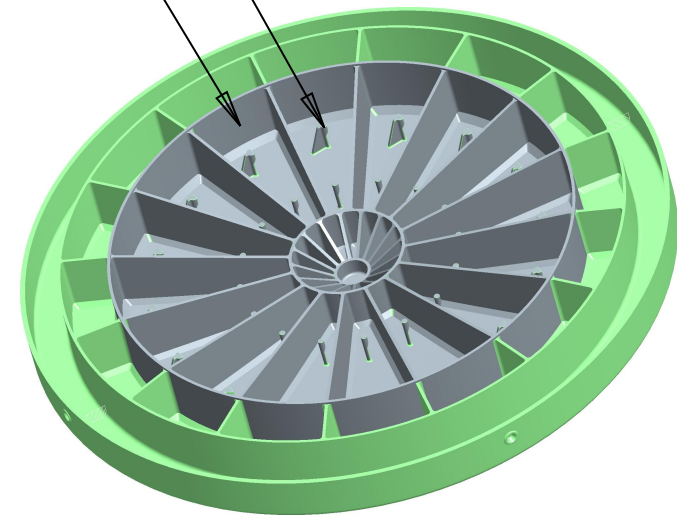
SECTION A-A

PERMANENT FOAMED-IN POLYURETHANE GASKET

THIS AREA MAY BE FILLED WITH CONCRETE FOR ADDITIONAL WEIGHT



CONCRETE KEEPERTM
RETAINING HOOKS



Material: Copolymer Polypropylene
Color: Green

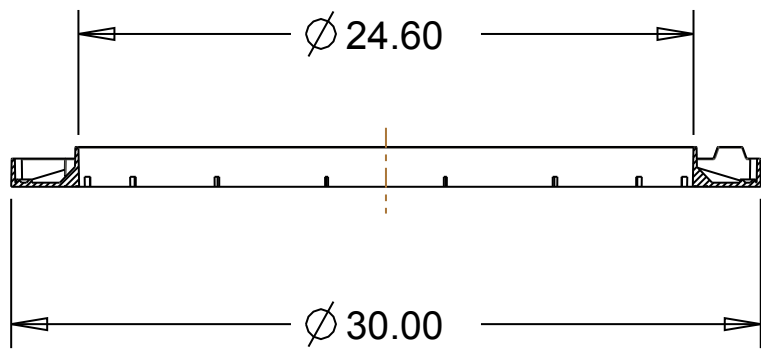


Drainage and Septic Products

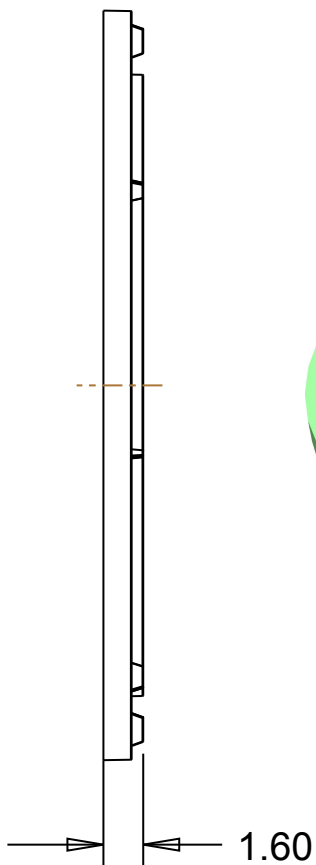
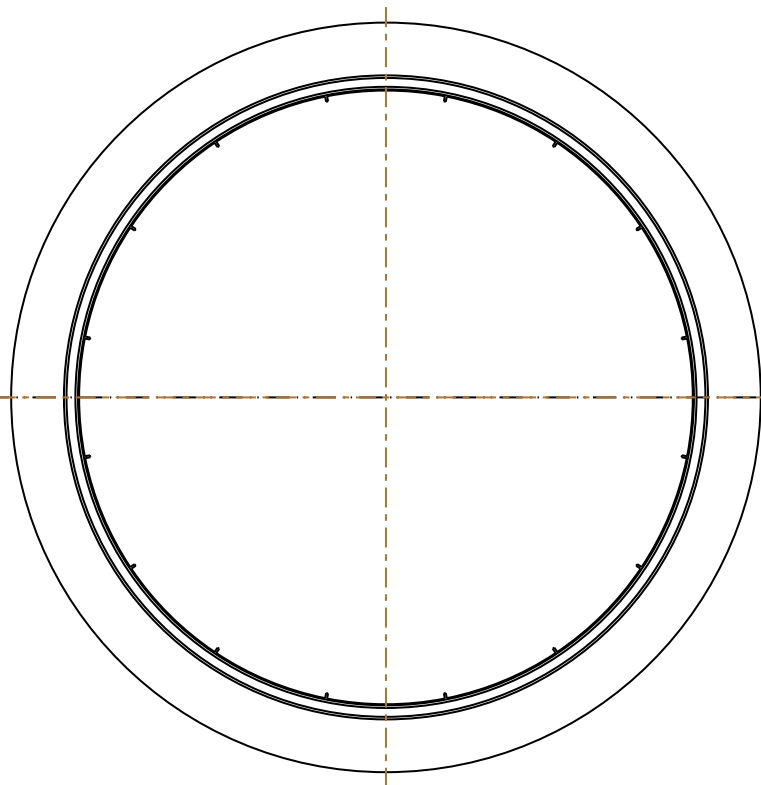
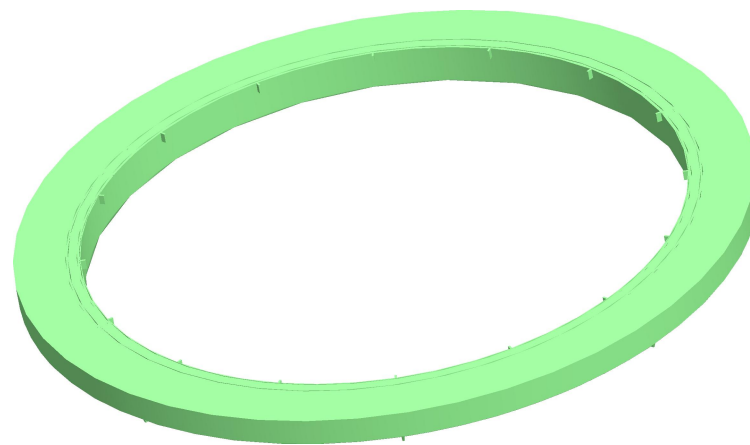
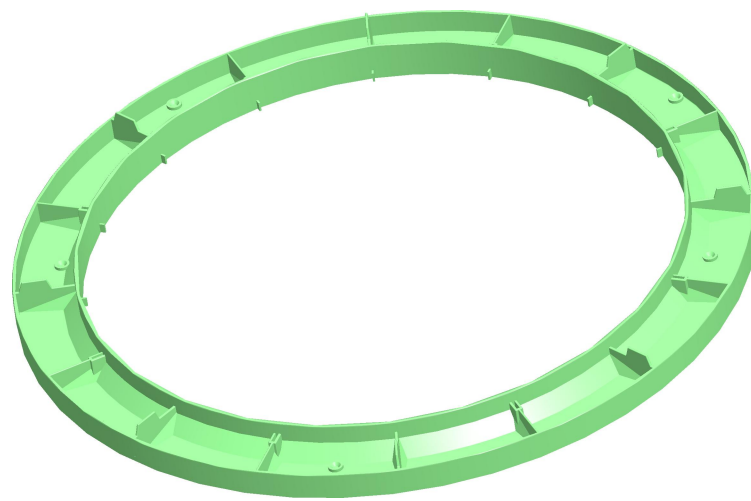
Tuf-Tite, Inc.
1200 Flex Court
Lake Zurich, Illinois 60047

PART NAME:
24" FLAT LID

PART #:
24 - FLAT



SECTION A-A



Material: Copolymer Polypropylene
Color: Green



Drainage and Septic Products

Tuf-Tite, Inc.
1200 Flex Court
Lake Zurich, Illinois 60047

PART NAME:	24" TAR
PART #:	24 - TAR - GREEN